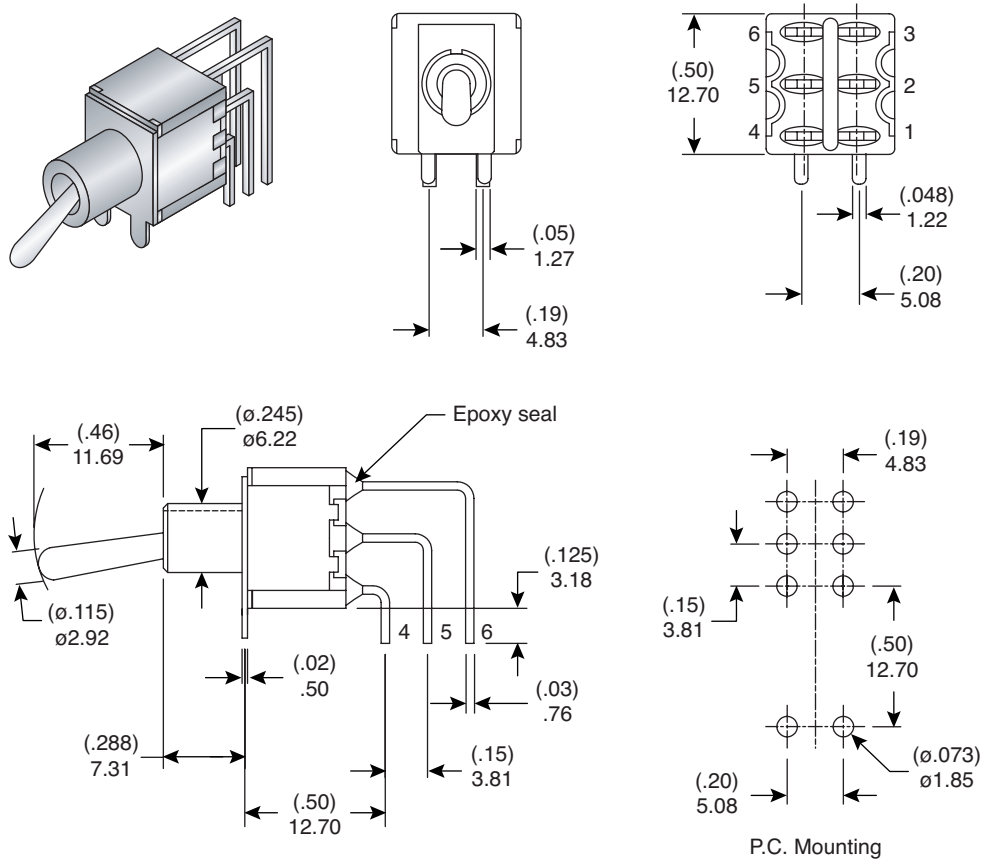


Dimensions: mm (In.)



Electrical Specifications:

- Rating: 2A/250VAC, 5A/120VAC or 28VDC
- Electrical Life: 40,000 make-and-break cycles at full load
- Contact Resistance: 10mΩ max. initial @ 2-4VDC 100mA
- Insulation Resistance: 1,000MΩ min.
- Dielectric Strength: 1,000 V RMS@sea level

Materials:

- Case: Diallyl phthalate (DAP)
- Actuator: Brass, chrome plated
- Bushing: Brass, nickel plated
- Housing: Stainless Steel
- Terminal/Contact: Silver or gold plated

Mouser Stock No.	Type	Circuit
108-0024-EVX	DPDT	On-On
108-0025-EVX	DPDT	On-Off-On

Mechanical Specifications:

- Operating Temperature: -30°C to 85°C

Note:

- RoHS Compliant by Exemption

Miniature Toggle Switches
108-0024-EVX, 108-0025-EVX

